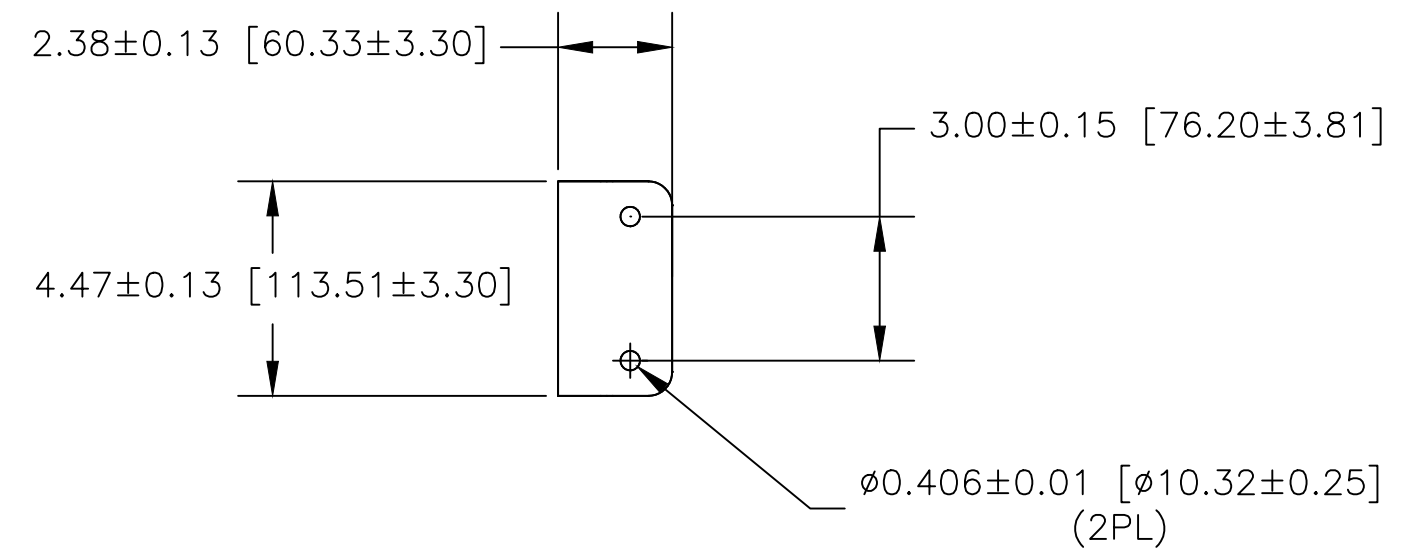
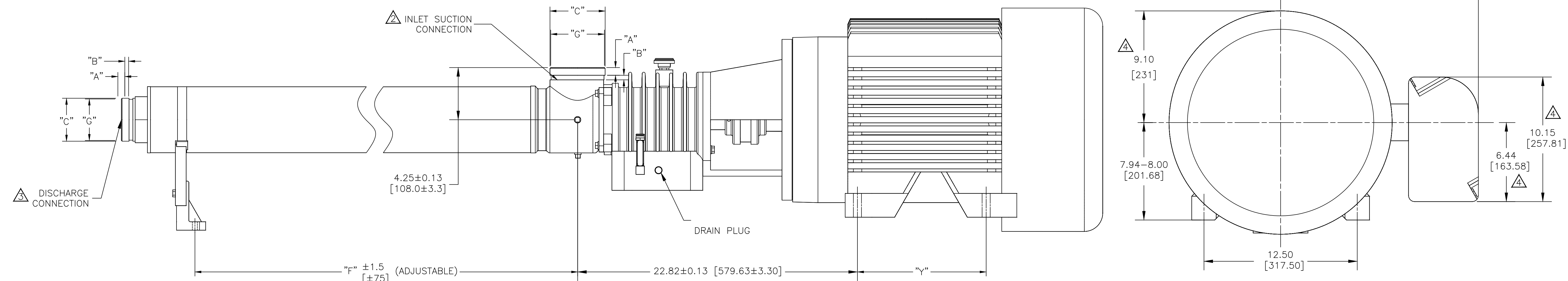
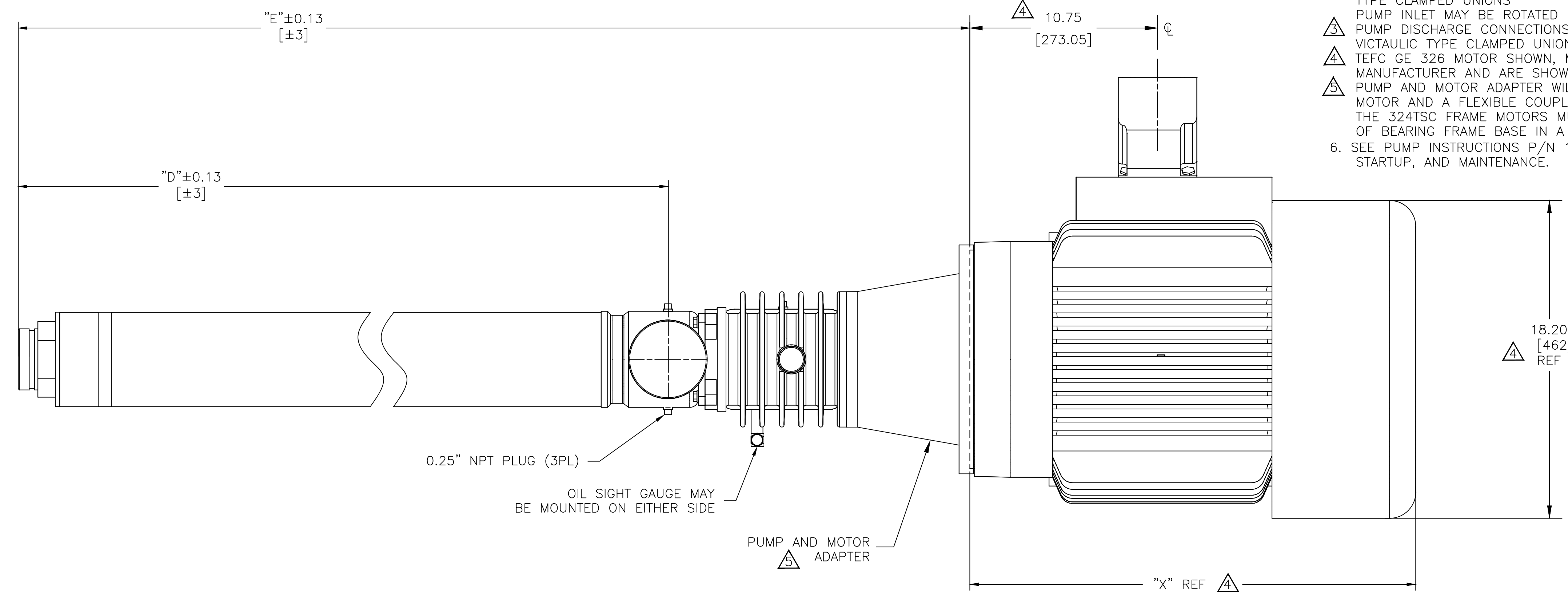


NOTES:

- 1 DIMENSIONS ARE IN INCHES [MILLIMETERS].
- 2 PUMP INLET CONNECTIONS MATE WITH 3-INCH VICTAULIC TYPE CLAMPED UNIONS
- 3 PUMP INLET MAY BE ROTATED IN 90° INCREMENTS.
- 4 PUMP DISCHARGE CONNECTIONS MATE WITH 3-INCH VICTAULIC TYPE CLAMPED UNION
- 5 TEFC GE 326 MOTOR SHOWN, MOTOR DIMENSIONS WILL VARY WITH MANUFACTURER AND ARE SHOWN FOR REFERENCE ONLY.
- 6 PUMP AND MOTOR ADAPTER WILL ACCEPT NEMA 324TSC FRAMES 3565 RPM ELECTRIC MOTOR AND A FLEXIBLE COUPLING WITH THE END OF THE PUMP DRIVE SHAFT. THE 324TSC FRAME MOTORS MUST HAVE A BASE AND BE RIGIDLY MOUNTED. MOUNTING OF BEARING FRAME BASE IN A STRAIN-FREE MANNER IS OPTIONAL WITH 324TSC FRAME MOTORS.
- 6. SEE PUMP INSTRUCTIONS P/N 1125317 FOR ADDITIONAL INFORMATION ON INSTALLATION, STARTUP, AND MAINTENANCE.



VICTAULIC® DIMENSIONS STANDARD 3" INLET & DISCHARGE CONNECTIONS		
ITEM	INCHES	MILLIMETERS
"A"	0.625±0.031	15.88±0.78
"B"	0.312±0.031	7.94±0.78
"C"	3.500±0.031	88.90±0.78
"G"	3.344 ^{+0.000} _{-0.018}	84.94 ^{+0.00} _{-0.46}

MODELS		"D"	"E"	"F"
60HZ	50HZ	INCHES	INCHES	INCHES
AS14016KZE	AS14016KZE	68.88	86.17	62.88
AS14021KZE	AS14021KZE	87.80	105.09	81.80
-	AS14024KZE	99.15	116.44	93.15

NEMA FRAME SIZE	"X"		"Y"	
	INCHES	[MM]	INCHES	[MM]
324TSC	25.88	657	10.50	266
326TSC	26.88	682	12.00	305

REV	DESCRIPTION	ECO	DWN	APPR	APPR	DATE
E	VEOLIA REBRANDING	140586	HP	NL	NL	09 Jan 23
D	SUEZ REBRANDING	131562	TG	SR	MS	20 Sep 18
C	SUCTION HEIGHT ADJUSTED	15466	GMK	SS	MG	30JAN13
B	CORRECTED TABLES, REVISED DIMENTIONS IN	15205	GMK	SS	MG	09AUG12
A	INITIAL RELEASE	14826	-	-	-	-

TOLERANCES UNLESS NOTED	
DECIMALS	ANGLES
.X 0.1	2
XX 0.03	FRAC
XXX 0.010	



CUSTOMER INFORMATION

DWG,TF,OUTLINE,AS14000KZE,
324/326TSC NEMA MOTOR

DRAWING NUMBER		REVISION	
1310577		E	
REF.: -	DOC. OWNER: -	PROJECT NO.	PART/MATERIAL NO.
SCALE		SIZE	SHEET
1:4		D	1 OF 1