

NOTES:

- 1 DIMENSIONS ARE IN INCHES [MILLIMETERS].
- 2 PUMP INLET CONNECTIONS MATE WITH 3-INCH VICTAULIC TYPE CLAMPED UNIONS. PUMP INLET MAY BE ROTATED IN 90° INCREMENTS.
- 3 PUMP DISCHARGE CONNECTIONS MATE WITH 3-INCH VICTAULIC TYPE CLAMPED UNIONS.
- 4 PUMP AND MOTOR ADAPTER WILL ACCEPT NEMA 215TC AND 254TC FRAME 3565 RPM ELECTRIC MOTORS AND A FLEXIBLE COUPLING. FOR 215TC AND 254TC FRAME MOTORS, THE FLANGE IS TO BE FLUSH WITH THE END OF THE PUMP DRIVE SHAFT.
- 5 SEE PUMP INSTRUCTIONS P/N 1123175 FOR ADDITIONAL INFORMATION ON INSTALLATION, STARTUP, AND MAINTENANCE.

NEMA FRAME SIZE	INCHES	[MM]
213TC	8.00	203.2

NEMA FRAME SIZE	INCHES	[MM]
213TC	9.50	241.4

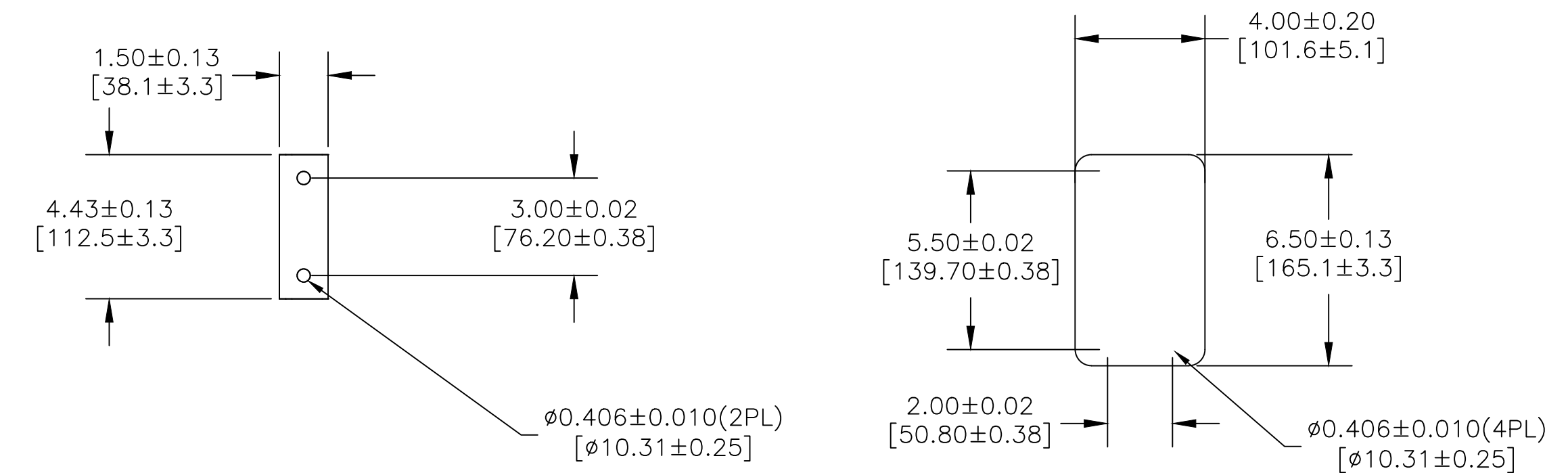
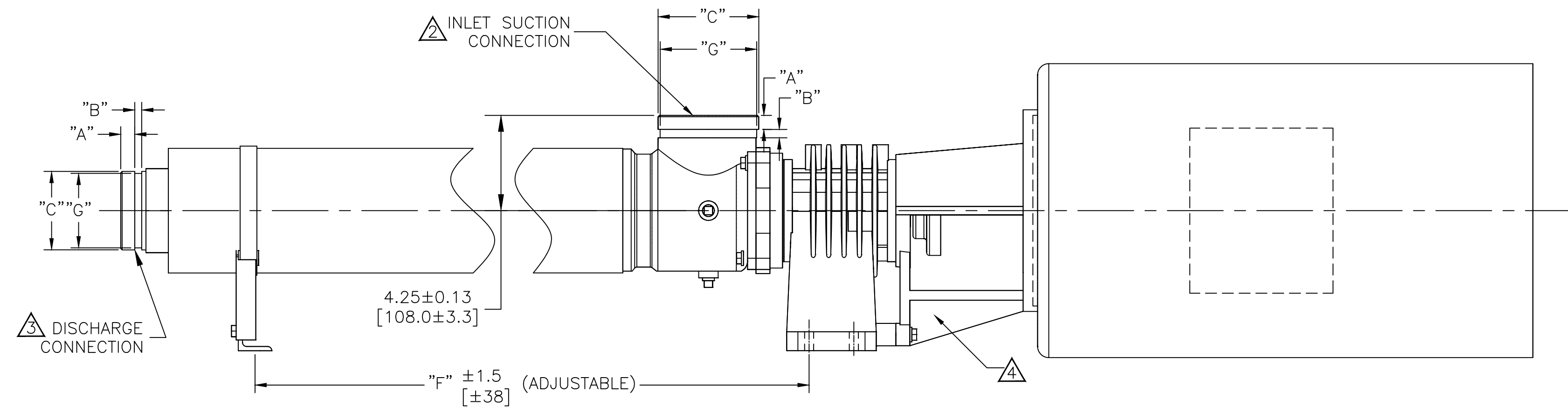
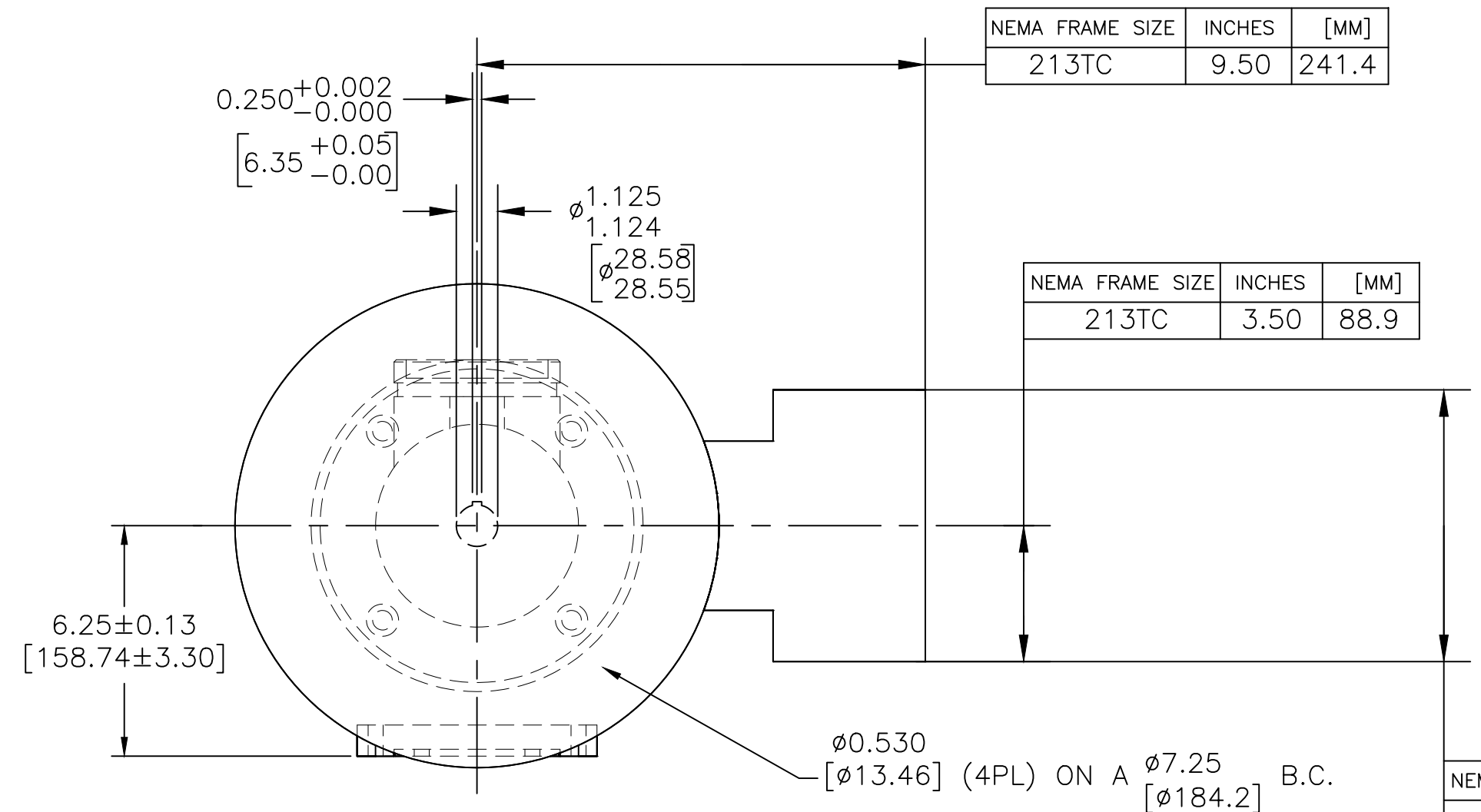
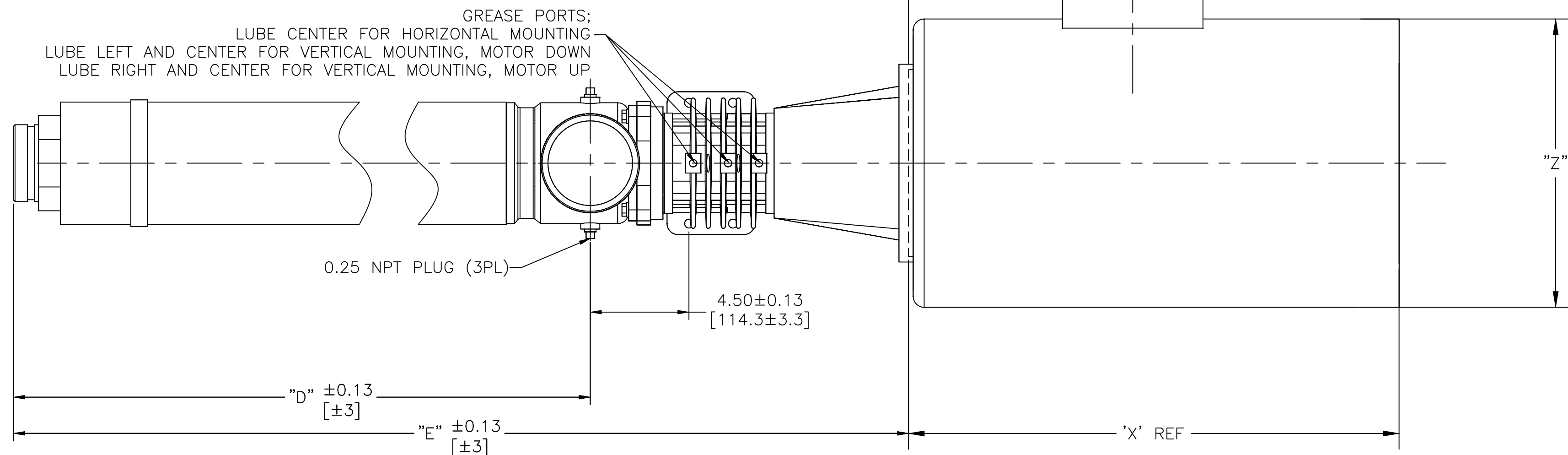
NEMA FRAME SIZE	INCHES	[MM]
213TC	3.50	88.9

NEMA FRAME SIZE	INCHES	[MM]
213TC	5.78	147

VICTAULIC® DIMENSIONS STANDARD 3" INLET & DISCHARGE CONNECTIONS		
ITEM	INCHES	MILLIMETERS
"A"	0.625±0.031	15.88±0.78
"B"	0.312±0.031	7.94±0.78
"C"	3.50±0.031	88.90±0.78
"G"	3.344 ^{+0.000} _{-0.018}	84.94 ^{+0.00} _{-0.46}

MODELS		"D"	"E"	"F"
60HZ	50HZ	INCHES	INCHES	INCHES
AS9006D	AS9006D	22.65	37.15	21.15

NEMA FRAME SIZE	"X"		"Y"		"Z"	
	INCHES	[MM]	INCHES	[MM]	INCHES	[MM]
213TC	17.77	451.4	FOOT	LESS	11.00	279.4



REV	DESCRIPTION	ECO	DWN	APPR	APPR	DATE
E	VEOLIA REBRANDING	140586	HP	NL	NL	09 Jan 23
D	SUEZ REBRANDING	131562	TG	SR	MS	20 Sep 18
C	SUCTION HEIGHT ADJUSTED	15466	GMK	SS	SS	30JAN13
B	CORRECTED TABLES, REVISED DIM IN THE MOD	15205	GMK	SS	MG	09AUG12
A	INITIAL RELEASE	14825	-	-	-	-

TOLERANCES UNLESS NOTED
DECIMALS ANGLES
.X 0.1 2
XX 0.03
XXX 0.010

CUSTOMER INFORMATION

DWG,TF,OUTLINE,
AS9000 "D" SERIES PUMP

VEOLIA

DRAWING NUMBER		REVISION	
1310487		E	
REF.:	PROJECT NO.	DOC. OWNER:	PART/MATERIAL NO.
	SCALE	SIZE	SHEET
	1:4	D	1 OF 1

DRAWING NUMBER		REVISION	
1310487		E	
REF.:	PROJECT NO.	DOC. OWNER:	PART/MATERIAL NO.
	SCALE	SIZE	SHEET
	1:4	D	1 OF 1