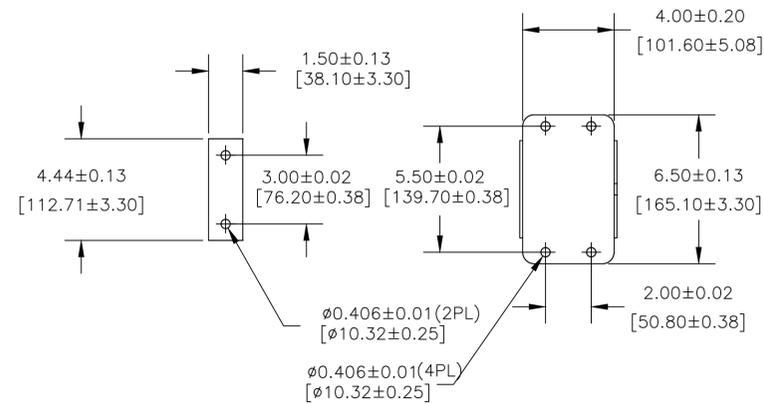
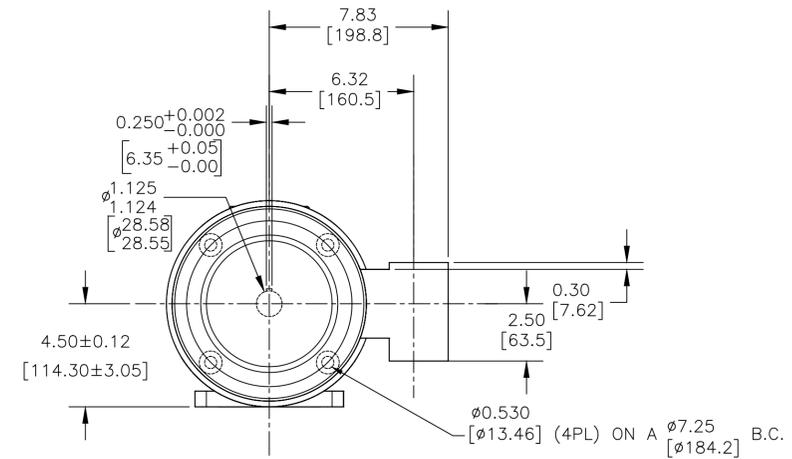
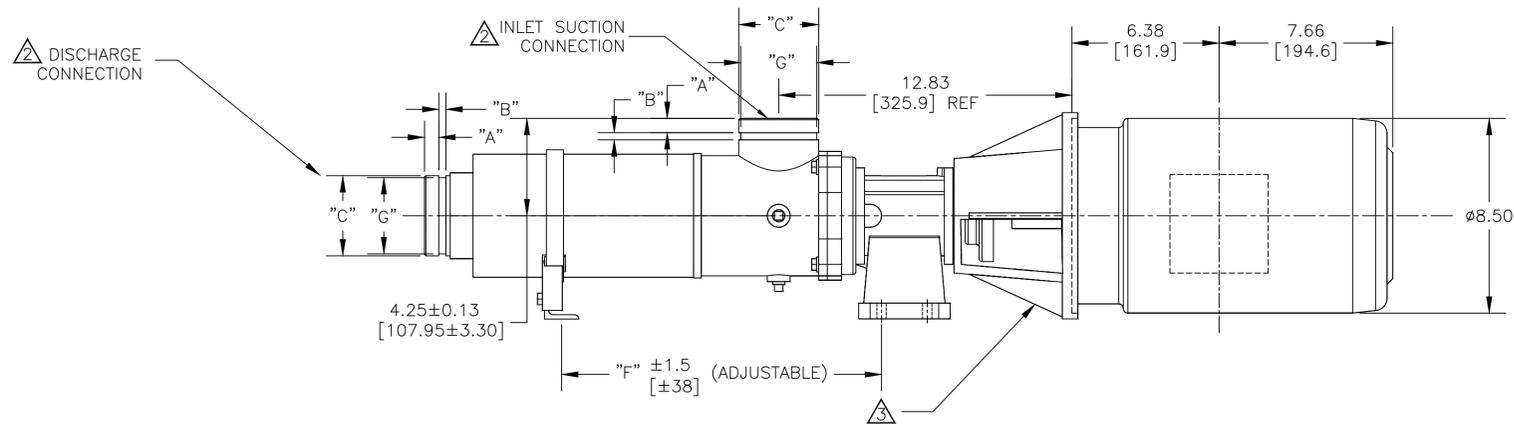
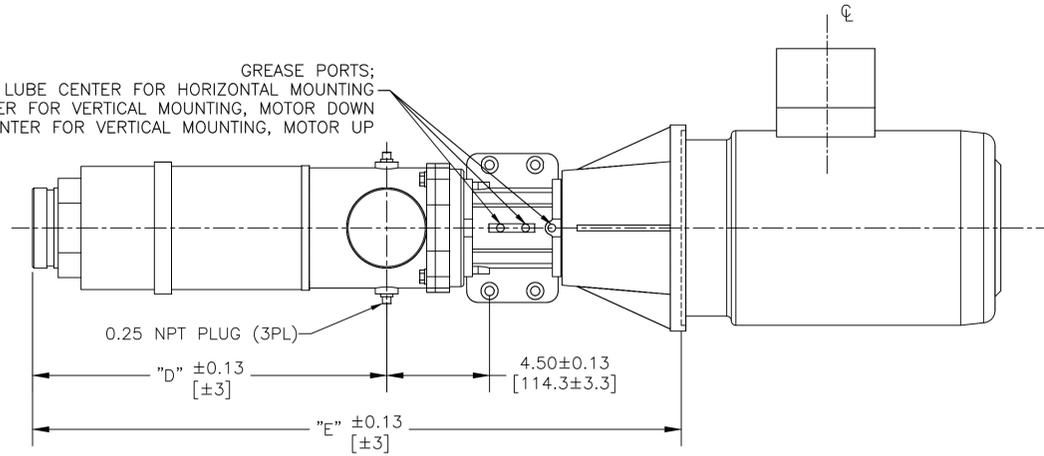


NOTES:

1. DIMENSIONS ARE IN INCHES [MILLIMETERS].
2. PUMP INLET AND DISCHARGE CONNECTIONS MATE WITH 3-INCH VICTAULIC TYPE CLAMPED UNIONS. PUMP INLET MAY BE ROTATED IN 90° INCREMENTS.
3. PUMP AND MOTOR ADAPTER WILL ACCEPT NEMA 182TC, 184TC, 213TC, 215TC AND 254TC FRAME 3450 RPM ELECTRIC MOTORS AND A WOODS FLEXIBLE COUPLING. FOR 182TC AND 184TC FRAME MOTORS THE WOODS FLANGE IS TO EXTEND .187" TO 25" BEYOND END OF PUMP DRIVE SHAFT. FOR 213TC, 215TC AND 254TC FRAME MOTORS, THE WOODS FLANGE IS TO BE FLUSH WITH THE END OF THE PUMP DRIVE SHAFT.
4. SEE PUMP INSTRUCTIONS P/N 1123175 FOR ADDITIONAL INFORMATION ON INSTALLATION, STARTUP, AND MAINTENANCE.

GREASE PORTS;
LUBE CENTER FOR HORIZONTAL MOUNTING
LUBE LEFT AND CENTER FOR VERTICAL MOUNTING, MOTOR DOWN
LUBE RIGHT AND CENTER FOR VERTICAL MOUNTING, MOTOR UP



VICTAULIC® DIMENSIONS STANDARD 3" INLET CONNECTIONS		
ITEM	INCHES	MILLIMETERS
"A"	0.625±0.031	15.88±0.78
"B"	0.312±0.031	7.94±0.78
"C"	3.500±0.031	88.90±0.78
"G"	3.344 ^{+0.000} _{-0.018}	84.94 ^{+0.00} _{-0.46}

MODELS		"D"		"E"		"F"	
60HZ	50HZ	INCHES	[MM]	INCHES	[MM]	INCHES	[MM]
AS9003G	AS9003G	15.50	394	28.33	720	14.00	356

REV	DESCRIPTION	ECO	DWN	APPR	APPR	DATE
D	VEOLIA REBRANDING	140586	HP	NL	NL	09 Jan 23
C	SUEZ REBRANDING	131562	TG	SR	MS	20 Sep 18
B	REVISED DIMENSIONS IN THE MODELS TABLE	15205	GMK	SS	GM	09AUG12
A	INITIAL RELEASE	14825	-	-	-	-

TOLERANCES UNLESS NOTED	
DECIMALS	ANGLES
.X 0.1	2
XX 0.03	FRAC
XXX 0.010	N/A



CUSTOMER INFORMATION

DWG,TF,OUTLINE,
AS9000 "G" SERIES PUMP

DRAWING NUMBER				REVISION	
1310486				D	
REF.: -	PROJECT NO.	PART/MATERIAL NO.	SCALE	SIZE	SHEET
			1:4	D	OF 1