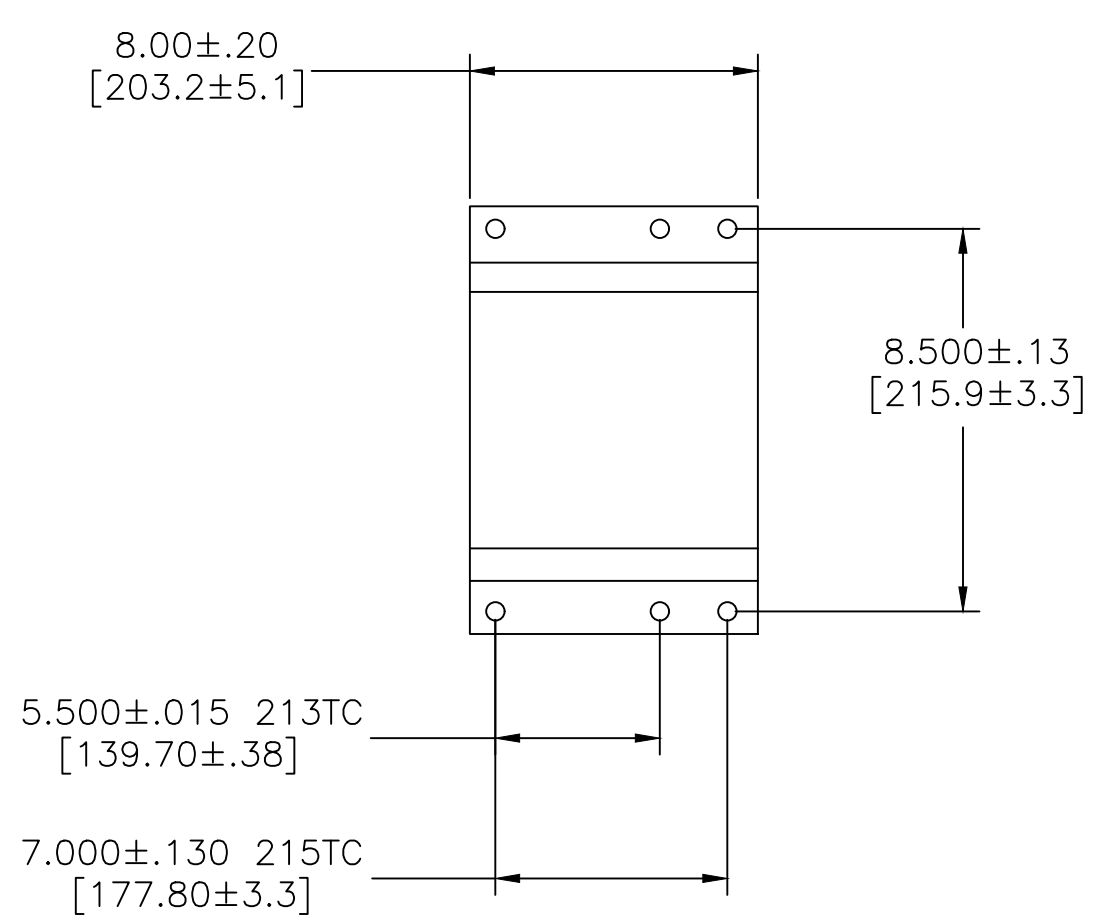
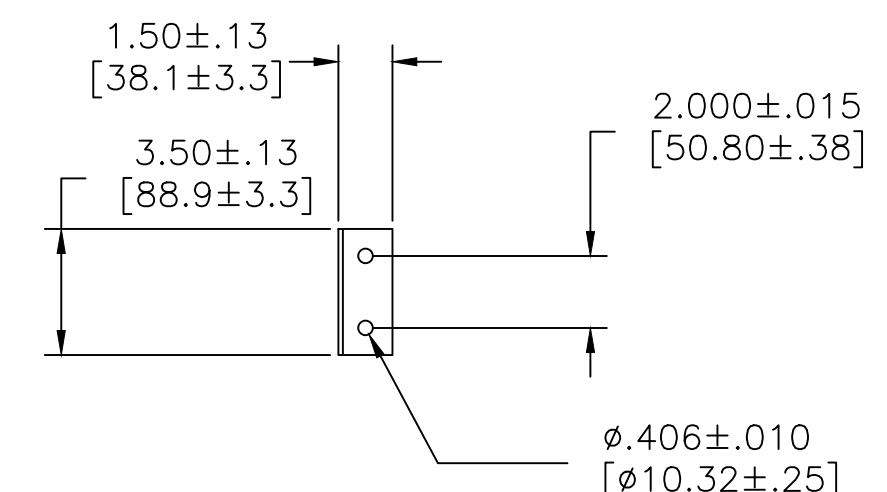
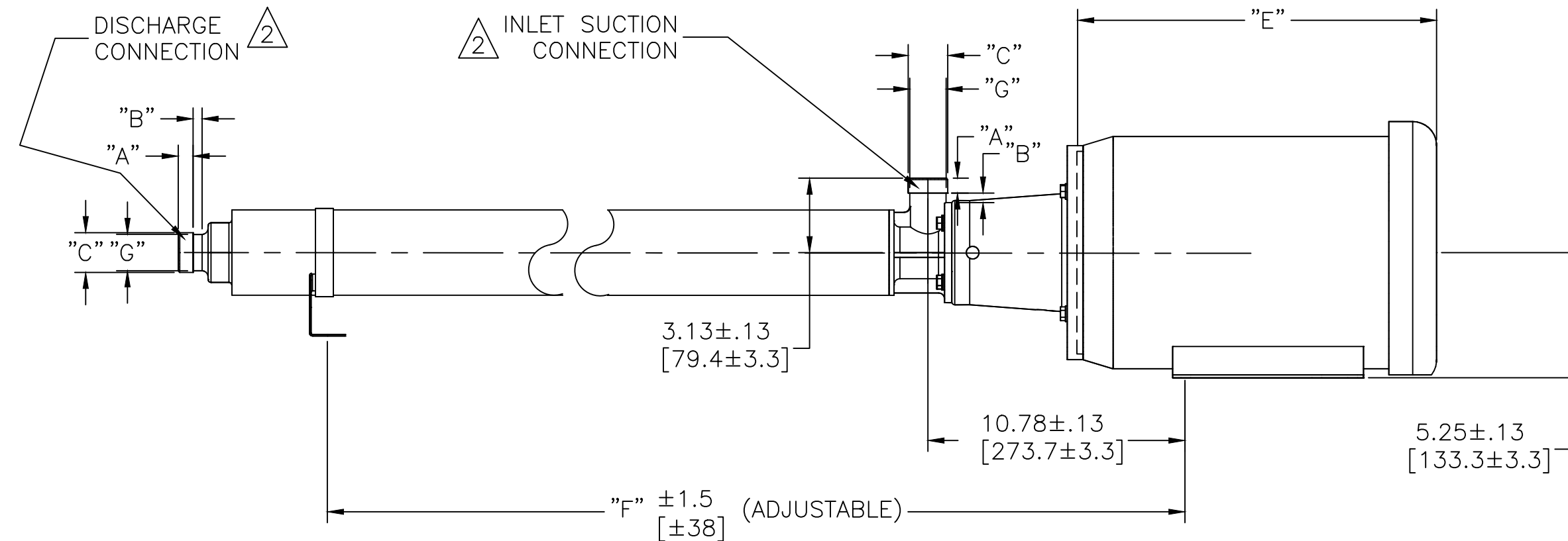
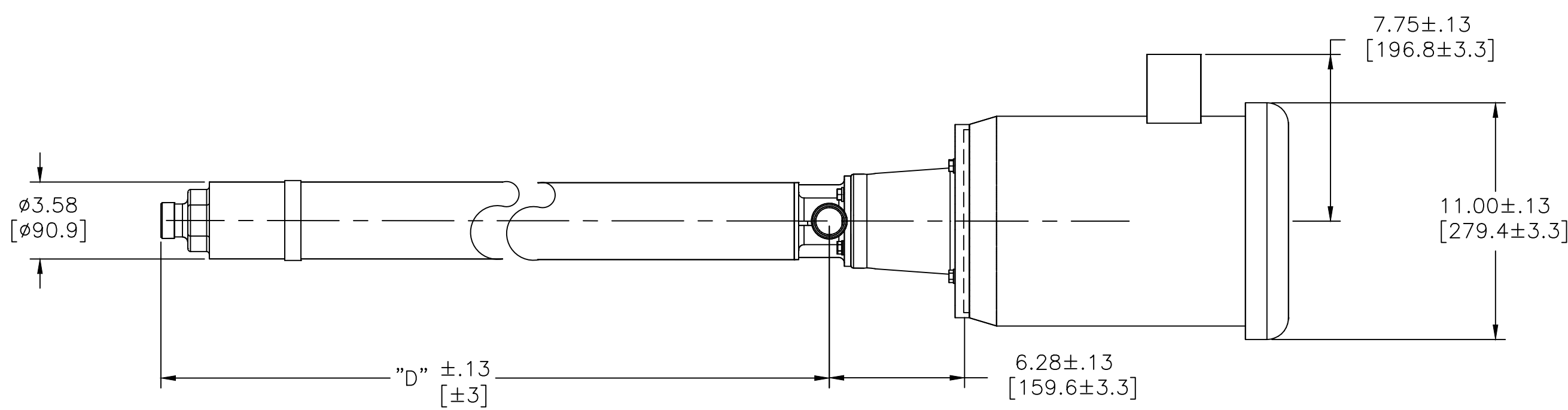


4

3

2

1



VICTAULIC® DIMENSIONS STANDARD 1.25" INLET & DISCHARGE CONNECTIONS		
ITEM	INCHES	MILLIMETERS
"A"	.625±.031	15.88±.78
"B"	.375±.031	9.53±.78
"C"	1.660 ^{+.045} _{-.031}	48.16 ^{+.114} _{-.78}
"G"	1.535 ^{+.000} _{-.020}	39.00 ^{+.00} _{-.51}

- NOTES:
1. DIMENSIONS ARE IN INCHES [MILLIMETERS].
 2. PUMP INLET AND DISCHARGE CONNECTIONS MATE WITH 1.25-INCH VICTAULIC TYPE CLAMPED UNIONS. PUMP INLET MAY BE ROTATED IN 90° INCREMENTS.
 3. SEE PUMP INSTRUCTIONS P/N 1125857 FOR ADDITIONAL INFORMATION ON INSTALLATION, STARTUP, AND MAINTENANCE.

MODELS		"D"		"F"		"E" MOTOR REF	
60HZ	50HZ	INCHES	[MM]	INCHES	[MM]	INCHES	[MM]
SS1838XC		44.89	1140	50	1279	14.0-15.6	356-396
SS1848XC	SS1848XC	54.72	1390	60	1529	16.3-17.8	414-452
	SS1856XC	62.72	1593	68	1732	16.3-17.8	414-452

E	VEOLIA REBRANDING	140586	HP	NL	NL	09 Jan 23	TOLERANCES UNLESS NOTED
D	SUEZ REBRANDING	131562	TG	SR	MS	20 Sep 18	DECIMALS ANGLES
C	REMOVE 2600 PUMPS	6120	PFM	WJE	---	29JUL03	.X .1 2"
B	REDRAWN ON ACAD	3334	RLH	MJT	---	23JUN98	.XX .03 FRAC
A	RELEASED PER ECO	2577	RLH	WJE	---	13OCT97	.XXX .010
REV	DESCRIPTION	ECO	DWN	APPR	APPR	DATE	



CUSTOMER INFORMATION

DWG, TF, OUTLINE
SS1800XC

DRAWING NUMBER		REVISION
1125799		E
REF.:-	DOC. OWNER:-	
PROJECT NO.	PART/MATERIAL NO.	SCALE SIZE SHEET
		3/16" = 1" C 1 OF 1