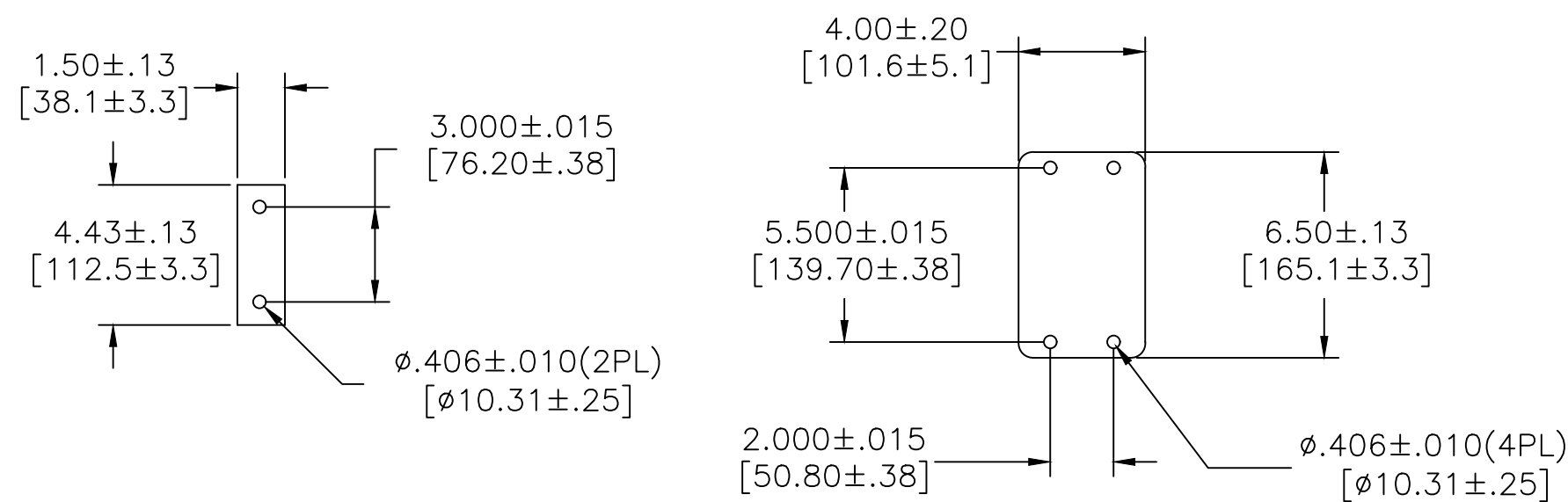
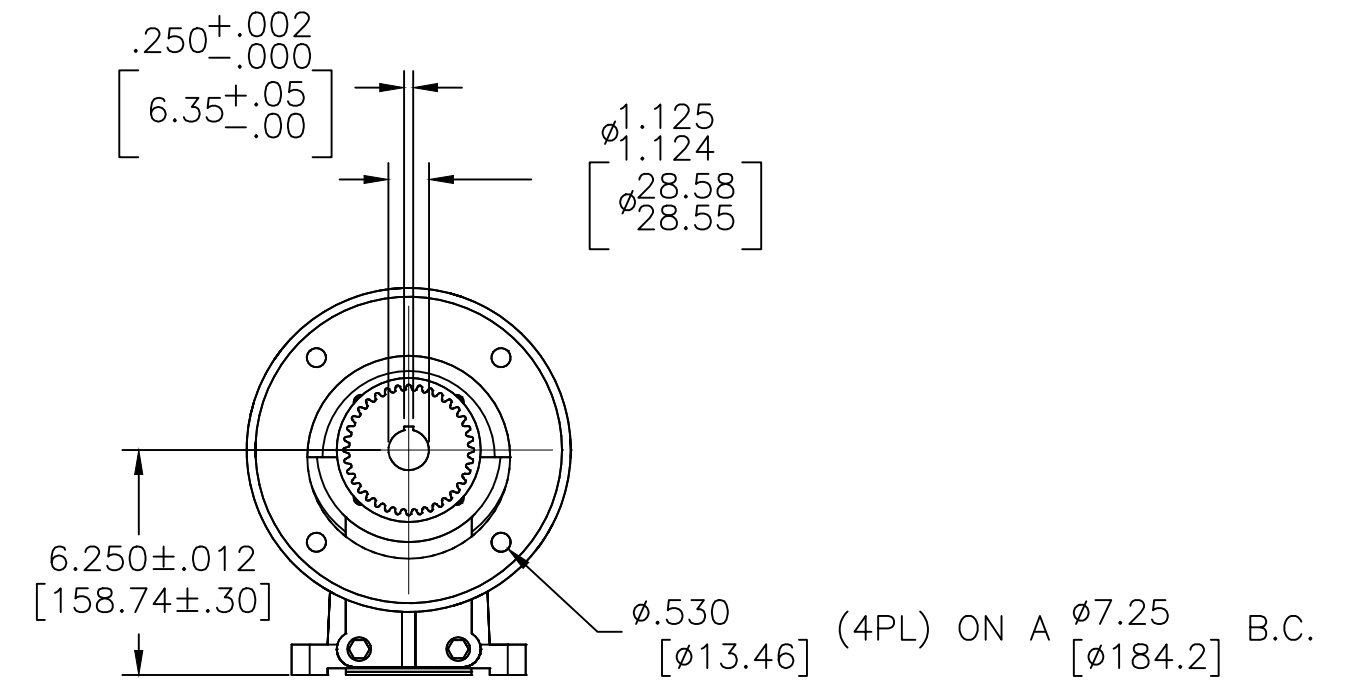
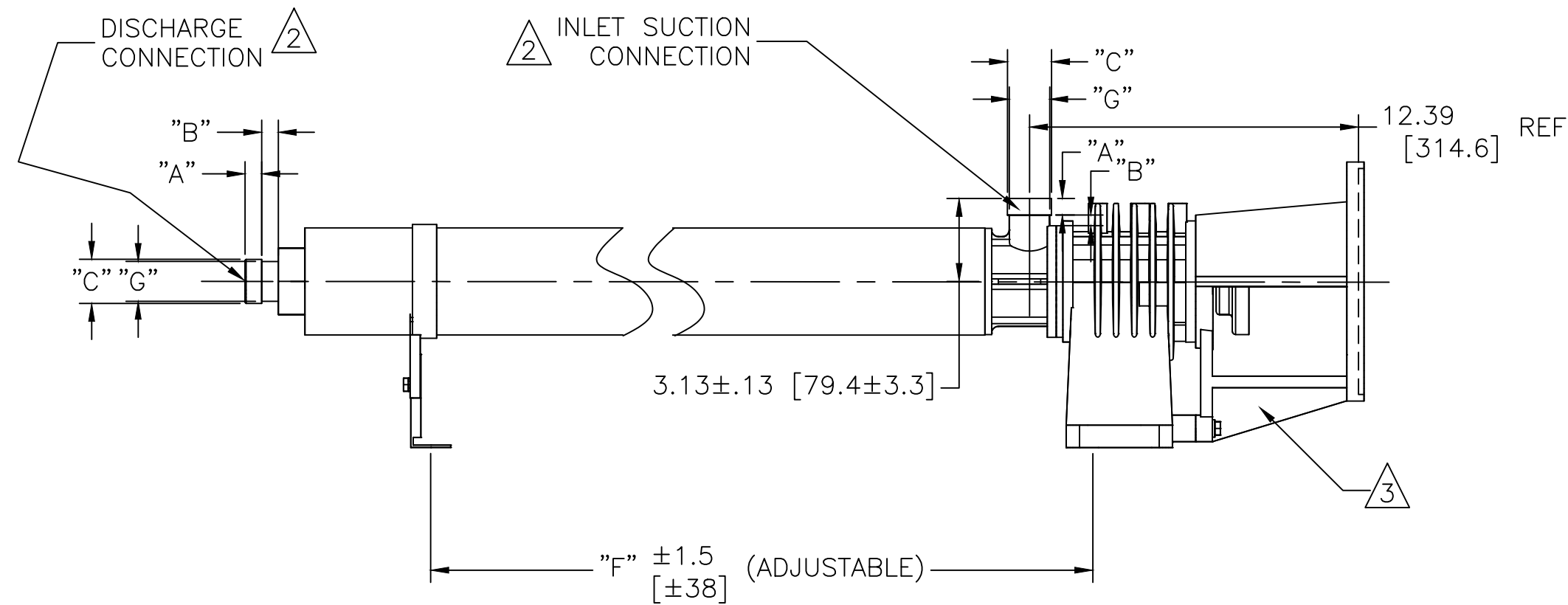
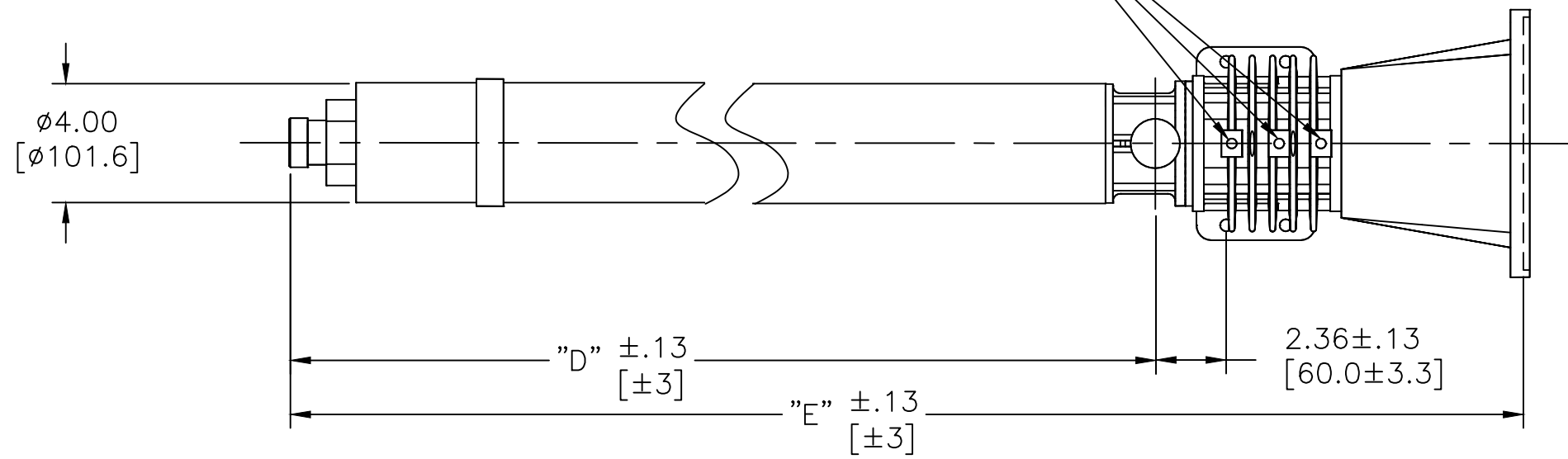


4 GREASE PORTS;
 LUBE CENTER FOR HORIZONTAL MOUNTING
 LUBE LEFT AND CENTER FOR VERTICAL MOUNTING, MOTOR DOWN
 LUBE RIGHT AND CENTER FOR VERTICAL MOUNTING, MOTOR UP



VICTAULIC® DIMENSIONS STANDARD 1.25" INLET & DISCHARGE CONNECTIONS		
ITEM	INCHES	MILLIMETERS
"A"	.625±.031	15.88±.78
"B"	.375±.031	9.53±.78
"C"	1.660 ^{+.045} _{-.031}	48.16 ^{+.114} _{-.78}
"G"	1.535 ^{+.000} _{-.020}	39.00 ^{+.00} _{-.51}

MODELS		"D"		"E"		"F"	
60HZ	50HZ	INCHES	[MM]	INCHES	[MM]	INCHES	[MM]
AS2545D	AS2545D	43.61	1108	56.00	1422	38.0	965
	AS2557D	53.57	1361	65.96	1675	47.6	1208

NOTES:

- DIMENSIONS ARE IN INCHES [MILLIMETERS].
- PUMP INLET AND DISCHARGE CONNECTIONS MATE WITH 1.25-INCH VICTAULIC TYPE CLAMPED UNIONS. PUMP INLET MAY BE ROTATED IN 90° INCREMENTS.
- PUMP AND MOTOR ADAPTER WILL ACCEPT NEMA 182TC, 184TC, 213TC, 215TC AND 254TC FRAME 3450 RPM ELECTRIC MOTORS AND A WOODS FLEXIBLE COUPLING. FOR 182TC AND 184TC FRAME MOTORS THE WOODS FLANGE IS TO EXTEND .187" TO .25" BEYOND END OF PUMP DRIVE SHAFT. FOR 213TC, 215TC AND 254TC FRAME MOTORS, THE WOODS FLANGE IS TO BE FLUSH WITH THE END OF THE PUMP DRIVE SHAFT.
- SEE PUMP INSTRUCTIONS P/N 1123174 FOR ADDITIONAL INFORMATION ON INSTALLATION, STARTUP, AND MAINTENANCE.

E	VEOLIA REBRANDING	140586	HP	NL	NL	09 Jan 23	TOLERANCES UNLESS NOTED
D	SUEZ REBRANDING	131562	TG	SR	MS	20 Sep 18	DECIMALS ANGLES
C	REDRAWN ON ACAD	3334	RLH	BJW	-	04 Mar 98	.X .1 2"
B	ADD MODELS 2557D	2004	RLH	WRM	-	29 Apr 94	.XX .03 FRAC
A	CHANGE PER ECO	1260	RLH	WRM	-	08 Feb 91	.XXX .010
REV	DESCRIPTION	ECO	DWN	APPR	APPR	DATE	



CUSTOMER INFORMATION

DWG, TF, OUTLINE
 AS2500 "D" SERIES PUMP

DRAWING NUMBER

1122796

REVISION

E

REF.:-	PROJECT NO.	PART/MATERIAL NO.	SCALE	SIZE	SHEET
			3/16" = 1"	C	1 OF 1